

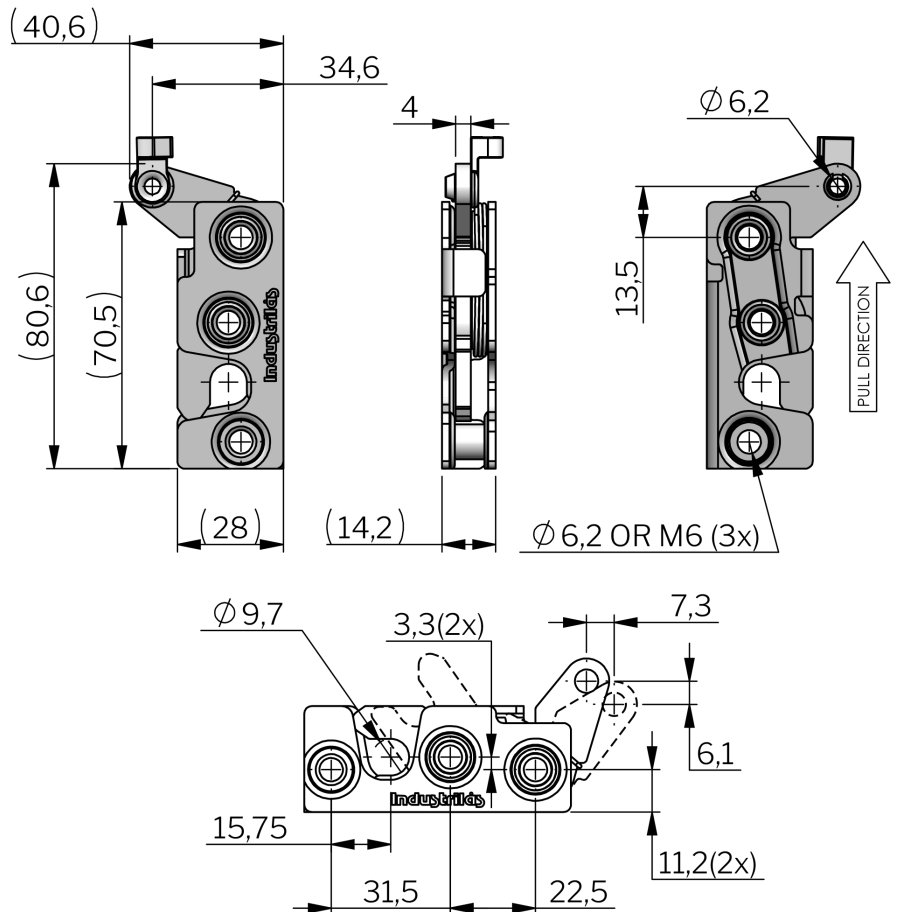
VECTOR ROTARY LATCH - INLINE TOP PULL



Vector rotary latches offer concealed latch points with convenient push-to-close action. Vector Rotaries are suitable for a variety of applications that require high strength, robust and secure latching. They are employed either as single latch point or in a multipoint latching system. Available in either single or two stage latching. The two stage rotary offers a safety feature that securely latches a partially latched compartment. Specially engineered to offer minimized trigger release force that ensures smooth and easy opening.

Vector rotaries are combined with Vector actuators that connect to the rotary latch by Vector rods or cables, creating an optimized latching system with components easily and securely fitted together. Please see related products to choose your components for your complete Vector rotary latching system.

The image displays a right version (see table below).



MATERIAL

- Anti Vibration Bushing:** TPE
- Bushing:** Steel, zinc plated
- Cam:** Hardened steel, anti-friction coating
- Clip:** Glass fibre reinforced polyamide (PA6GF30)
- Housing:** Steel, zinc plated
- Striker:** Steel, zinc plated
- Trigger:** Hardened steel, zinc plated

RELATED PRODUCTS

- Needed components for a complete system:** 2-850, 2-745, 2-746, 2-835, 2-870, 2-860
 - Similar products:** 2-750-02, 2-750-03, 2-750-04, 2-750-07
 - Strikers:** 2-749-01, 2-749-02, 2-749-03, 2-749-04
- Use the Index Code at industrilas.com

Make your selections in each column to create your article number (AAAA-BBCDEFFG-HH)

AAAA Type	BB Material	C Type	D Type of jaw	E Mounting hole	FF Trigger	G Left / Right	HH Striker
5223 Rotary for 9,4 mm striker	11 Steel, zinc plated	1 Single stage	1 Single jaw	0 Through hole	01 Inline Top Pull	1 Right	00 No striker
5224 Anti-BSR* Rotary for 9,4 mm striker		2 Double stage		1 M6 threaded		2 Left	01 With striker bolt UNC 5/16-18
				2 UNC 1/4-20			02 With striker bolt M8
							03 With looped striker
							04 With riveted striker

* Anti-BSR means no Buzz, Squeak or Rattle due to TPE anti vibration bushing.

